

DECLARATION OF CONFORMITY

This document is the conformity declaration concerning safety switches and relays, conform to the Machine Directive 2006/42/CE and the Directive 2004/108/CE.

ELECTROMECHANICAL SAFETY SWITCHES

Range	Safety Standards	Approvals
7SSR24V	ISO 13849-1	CE

Safety category = 1

PL=c (ISO 13849-1)

B10d=2 000 000

dop=365 j

hop=24 h

F=1/h

In=100mA

TM= 20 years

Checking period=1/year

Type 4 acc. ISO 14119

average level on request



The new requirements do not impact the product. Low-voltage switchgear and controlgear including dimensional standardization is EN 60947-5-1:2004/A1:2009

This range of safety switches is designed to replace mechanical safety switches used on doors and crancckases of dangerous machines. It uses our process ACOTOM® or ACOTOM₃®.

All the safety switches and safety modules are designed and manufactured following UL508/CSA C22.2 regulation.

Safety switches and safety modules must be used following diagramm and directives described in our data sheet.

Place and date of issue : Noisy, 18 dec. 2014

Authorised signature

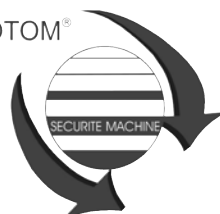
Michel Conte

Director

PROCESS ACOTOM®



BTI



FURTIF 7SSR24V technical data sheet

Thank you for your confidence in BTI products.
This product has been designed and manufactured according to the highest quality standards.

1. Application

The 7SSR24V is a coded electronic autonomous sensor using our process ACOTOM® allowing to detect the opening of the mobil protectors on dangerous machines. This switch is uncheatable. Housing in two elements in nickel and copper alloy, the transmitter and the receiver which supplies two NO contact lines free of potential and isolated from the decoding system which guarantees more safety, and an auxiliary NC PNP contact.

2. Fixing and wiring

With four square lugs, the two parts of FURTIF 7SSR24V can be easily fixed.

The receiver is equipped with a multiconducting cable of diam. 6mm and standard length 3, 6 or 12m PVC multiwire (other lengths on request).

3. unctioning

The FURTIF 7SSR24V is supplied with 24v AC or DC voltage.

When the two targets, on receiver and on transmitter are in line, and if code is recognized, the NO line closes and the auxiliary line opens. The red led switches off.

If code is not recognized or if the alignment is not reached, the led is lit on and the lines are not commanded.

To avoid the mechanical damaging of elements, a minimum of 1mm distance is necessary between the two elements. The detection is available with 6mm distance. Detection through 4mm stainless steel or polycarbonate wall.

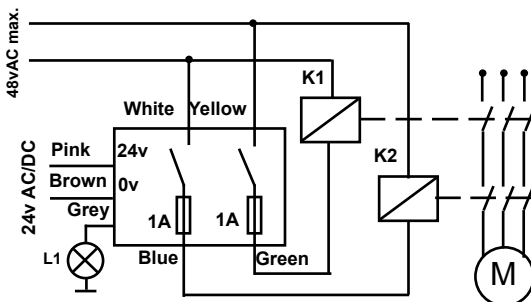
Advice

The installation has to be checked periodically. Our engineers team stays at your disposal to answer your questions and analyse all your specific demands (studies, specific needs...). Please do not hesitate to contact us.

4. Technical characteristics

Power Supply	24Vac/dc +/- 10%	
Current	45mA	
Detection/Hysteresis	6mm / 2mm	
Line protection	1A Fusible rapide	
Safety contacts	48V / 1A cos φ=0	
Auxiliary contact	PNP 1A	
Code	733	
Temperature	-25 °C / +60 °C	
MTTFd	50 years	
Size LxHxh	Emitteur diam. 30 mm x 36 mm	Receiver diam. 30 mm x 48 mm
Weight	Emitteur : 65g	Receiver : 95g

5. Wiring



6. Size (mm)

