

TIMTRONIC XXL

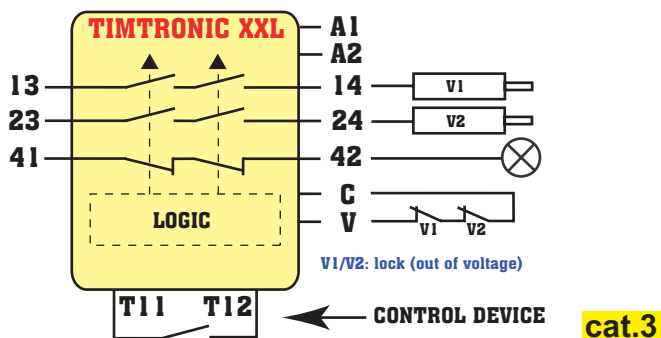
DIGITAL DELAYED RELEASE MODULE

- Activation by an opening of a NO contact
- Reset to zero each time the contact closes (LED lit off)
- Flashing LED during timing
- Closing of contacts after timing
- Delay time adjustable by incremental coders from 0 to 999s
- 2 NO delayed lines 8A/250V
- 1 NC delayed line 8A/250V
- Power supply : 24Vac/dc
- 22,5 mm housing

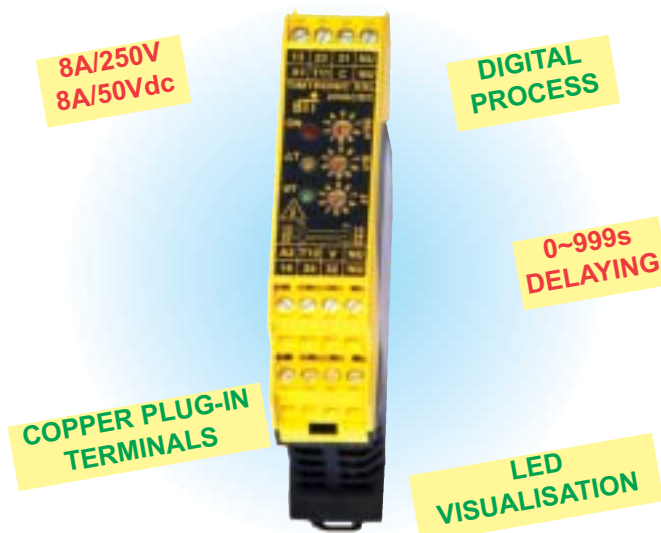
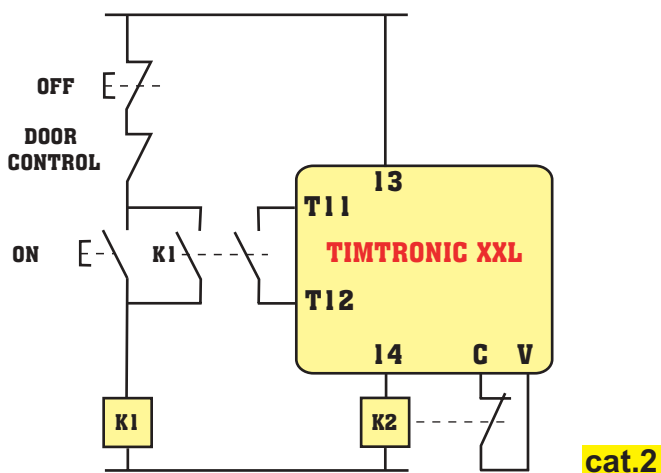
SAFETY CATEGORY

TIMTRONIC XXL : category 3 selon EN 954-1

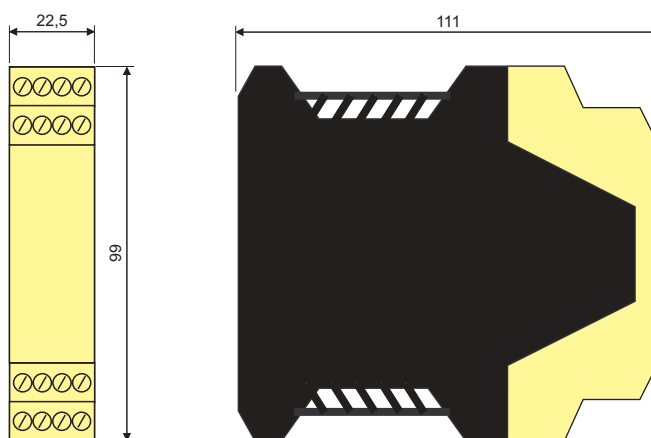
WIRING DIAGRAM



FUNCTIONING



DIMENSIONS



Rising time drift in case of failure which guarantees the access locking.

APPLICATION

With the Timtronic you can stop the machine and the door will unlock after a chosen delay time.