

## non contact Multicoded switch : TOTAL SAFETY in category 4

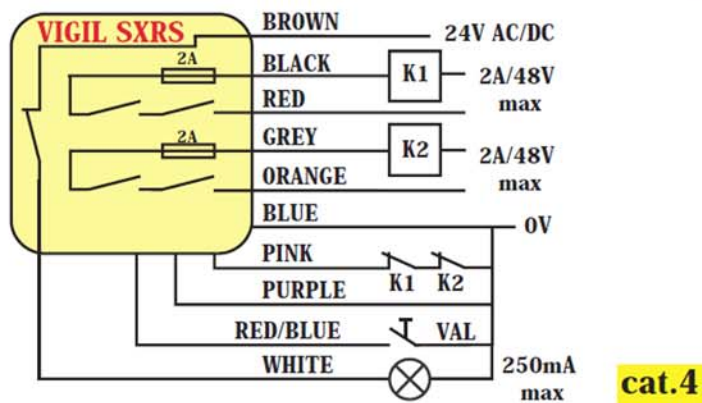
- ➔ Automatic self-control integrated
- ➔ 124 codes upon request (ref:001-124)
- ➔ Detecting distance/hysteresis/misalignment: 10 /+2 /±9 mm
- ➔ 2 NO 2A/48V + 1NC 24V/250mA
- ➔ LED indicating switch condition
- ➔ Controlled manual resetting (ref+SXRS)
- ➔ Test loop
- ➔ Mounting brackets and moulded cable
- ➔ Polycarbonate housing
- ➔ Temperature -20°C to +60°C / Waterproof IP67

### SAFETY CATEGORY

VIGIL SXRS : category 4\* according to EN 954-1

\*regardless of the number of switches in series

### ELECTRICAL DIAGRAM



CATEGORY 4

124 CODES

RESETTING INPUT

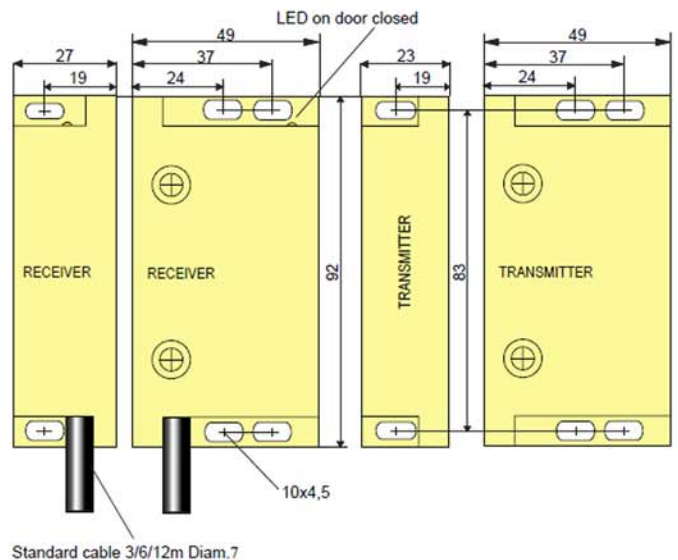
INTEGRATED LED

EN954-1

EN60947-5-1

ACOTOM®3

### DIMENSIONS



### Vigil in case of failure



Our switches are equipped with a 2A fuse in order to guarantee electrical protection

### ADVICE

No place left in your electrical board? This switch does not need an external safety module to reach the highest safety level (detects even an accumulation of faults)