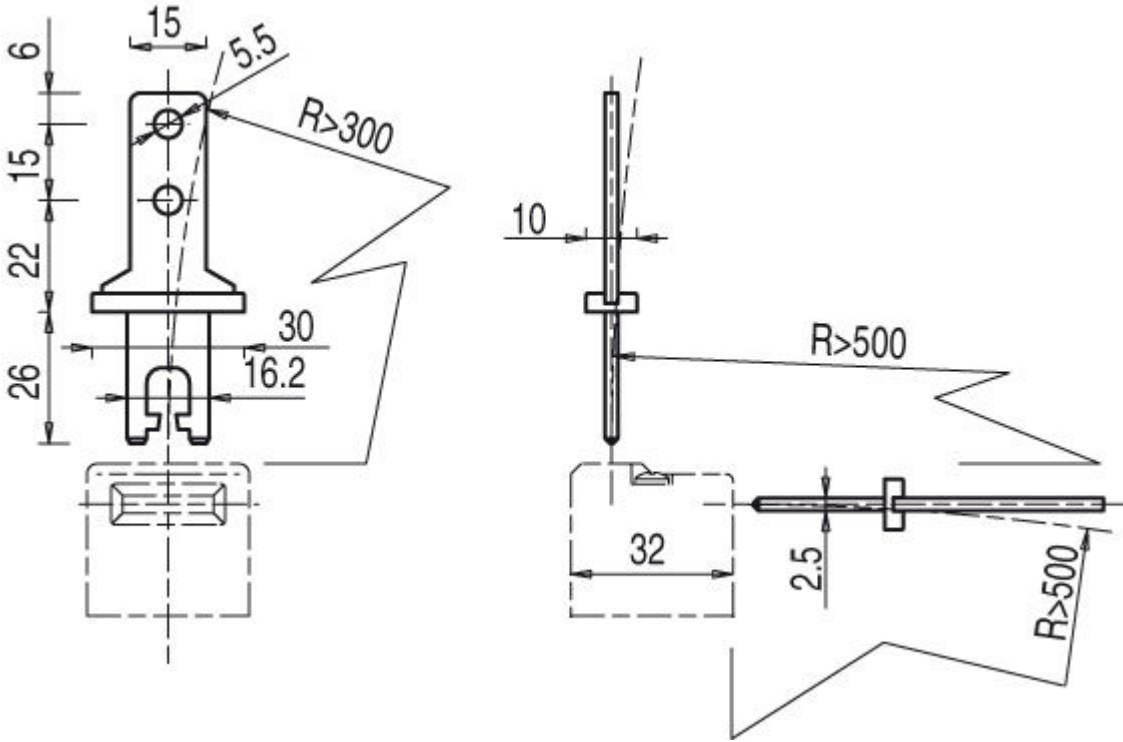


AC-AH-S Straight Actuator



Dimensioned drawings

All dimensions in millimeters



Technical Data

Mechanical data

Dimension (W x H x L)	30 mm x 10 mm x 69 mm
Net weight	20 g
Type of fastening	Through-hole mounting
Design, actuator	Straight
Area of application, actuator	Heavy duty
Mounting bore holes	90° to key direction
Material	Stainless steel

Classification

Customs tariff number	85369095
eCl@ss 8.0	27279216
eCl@ss 9.0	27272606
ETIM 5.0	EC001487
ETIM 6.0	EC001487

See more at [celltec.com.au](https://www.celltec.com.au)

CellTec Pty Ltd

P: +61 3 8360 8533 | **E:** sales@celltec.com.au

A: 6 Paraweena Drive
Truganina VIC 3029 Australia

CellTec
engineering automation safety