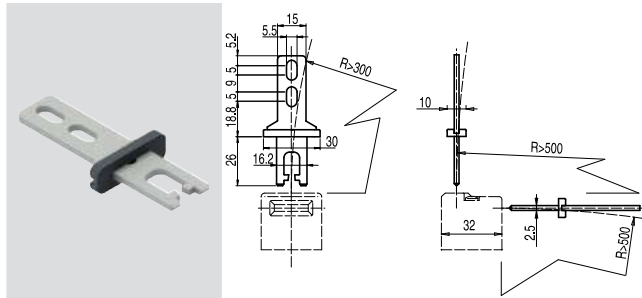




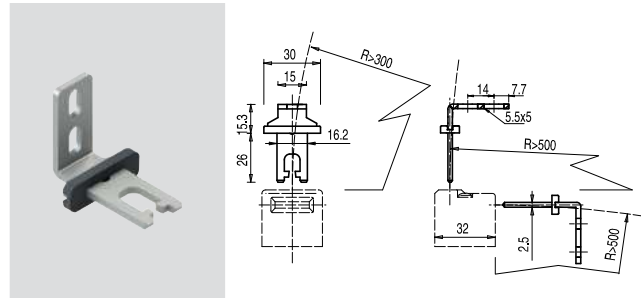
Stainless steel actuators

IMPORTANT: These actuators can be used only with items of the FD, FP, FL, FC and FS series (e.g. FD 693-M2).
Low level of coding acc. to EN ISO 14119.

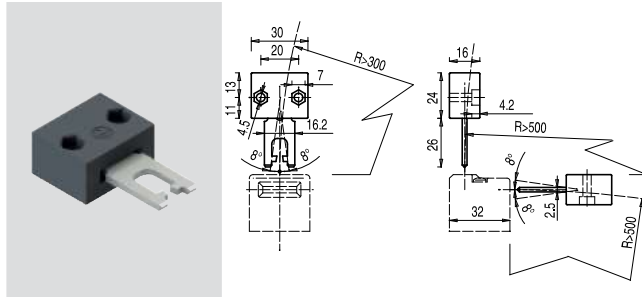
Article	Description
VF KEYF	Straight actuator



Article	Description
VF KEYF1	Angled actuator

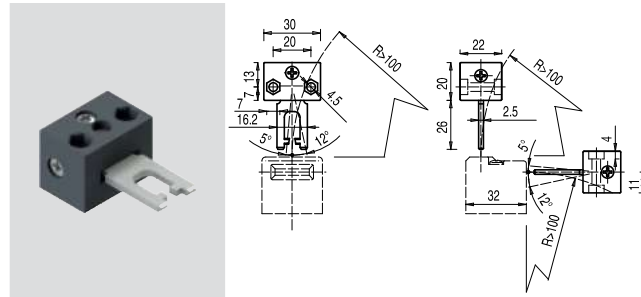


Article	Description
VF KEYF2	Jointed actuator



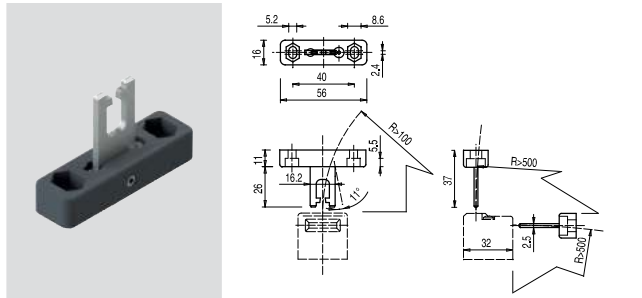
The actuator can flex in four directions for applications where the guard alignment is not precise.

Article	Description
VF KEYF3	Actuator adjustable in two directions



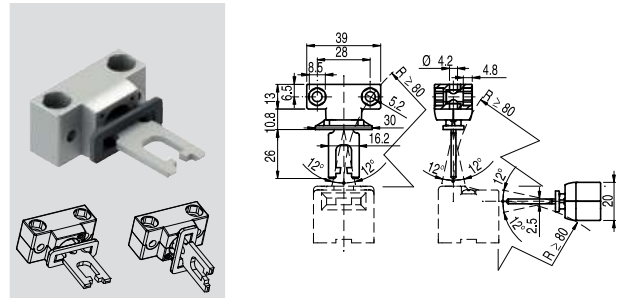
Actuator adjustable in two directions for guards with reduced dimensions.

Article	Description
VF KEYF7	Actuator adjustable in one direction



Actuator adjustable in one direction for guards with reduced dimensions.

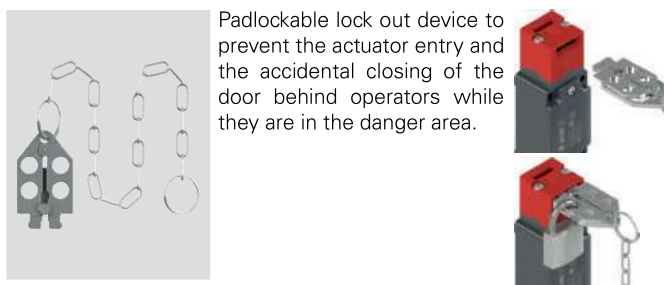
Article	Description
VF KEYF8	Universal actuator



Jointed actuator for guards with poor alignment, adjustable in two dimensions for small doors; can be mounted in various positions. The metal fixing body has two pairs of bore holes; it is provided for rotating the working plane of the actuator by 90°.

Accessories

Article	Description
VF KB1	Lock out device



Padlockable lock out device to prevent the actuator entry and the accidental closing of the door behind operators while they are in the danger area.

All values in the drawings are in mm

Accessories See page 321

→ The 2D and 3D files are available at www.pizzato.com