

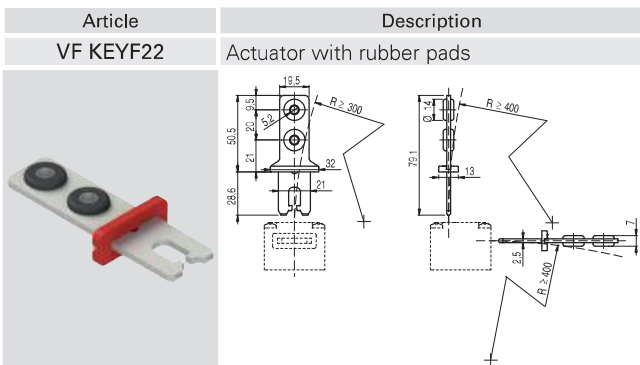
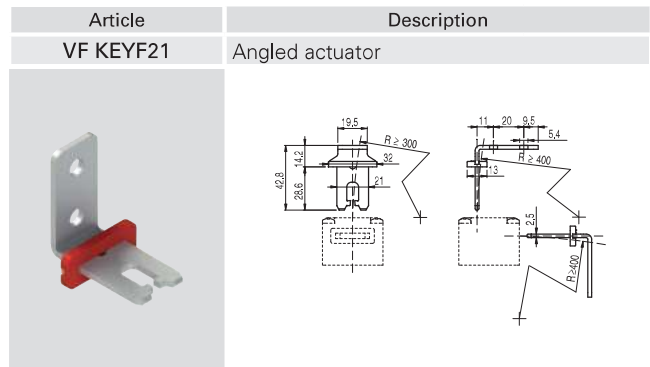
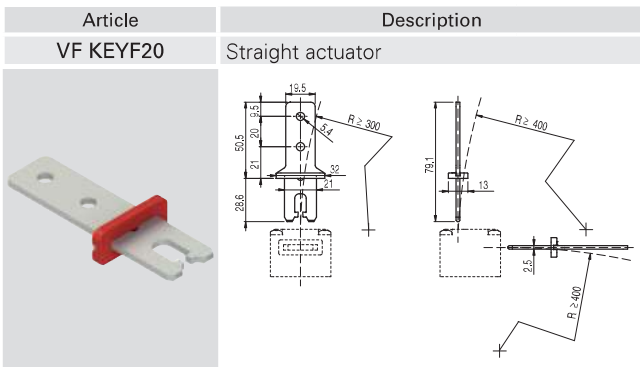
Travel diagrams

<p>60A 2NO+2NC</p>	<p>60M 3NO+1NC</p>	<p>61A 1NO+3NC</p>
<p>60B 1NO+3NC</p>	<p>60N 3NO+1NC</p>	<p>61B 2NO+2NC</p>
<p>60C 4NC</p>	<p>60P 4NC</p>	<p>61C 3NO+1NC</p>
<p>60D 1NO+3NC</p>	<p>60R 2NO+2NC</p>	<p>61D 3NO+1NC</p>
<p>60E 1NO+3NC</p>	<p>60S 2NO+2NC</p>	<p>61E 3NO+1NC</p>
<p>60F 2NO+2NC</p>	<p>60U 4NC</p>	<p>61G 3NO+1NC</p>
<p>60G 4NC</p>	<p>60V 2NO+2NC</p>	<p>61H 2NO+2NC</p>
<p>60H 4NC</p>	<p>60X 1NO+3NC</p>	<p>61M 3NO+1NC</p>
<p>60I 1NO+3NC</p>	<p>60Y 2NO+2NC</p>	<p>61R 1NO+3NC</p>
<p>60L 2NO+2NC</p>		<p>61S 3NO+1NC</p>

Legend:
 Closed contact
 Open contact
 Contacts activated by the actuator
 Contacts activated by the solenoid
 Positive opening travel

Stainless steel actuators

IMPORTANT: These actuators can be used only with items of the FG series (e.g. FG 60AD1D0A).
 Low level of coding acc. to EN ISO 14119.



All values in the drawings are in mm

Accessories See page 321

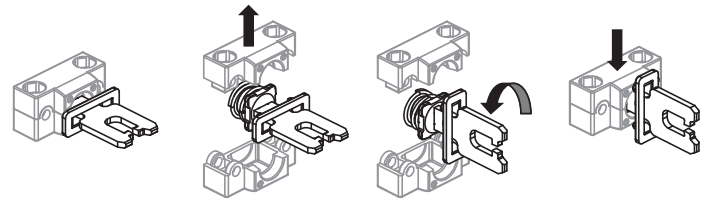
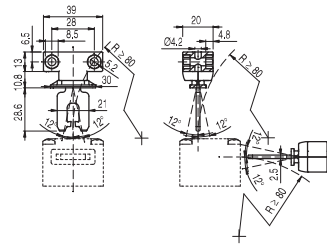
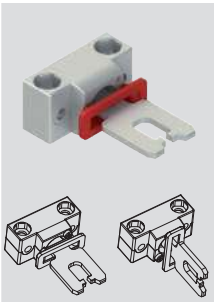
→ The 2D and 3D files are available at www.pizzato.com



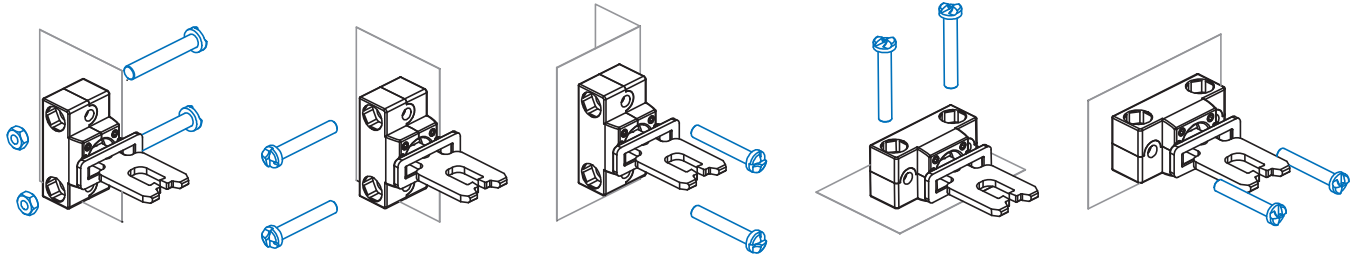
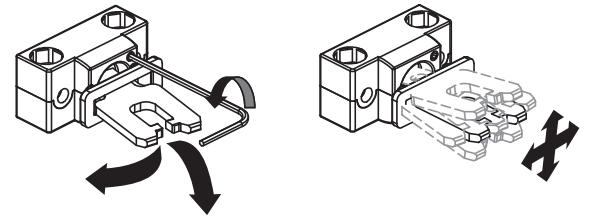
Universal actuator VF KEYF28

IMPORTANT: These actuators can be used only with items of the FG series (e.g. FG 60AD1D0A).
Low level of coding acc. to EN ISO 14119.

Article	Description
VF KEYF28	Universal actuator



Jointed actuator for guards with poor alignment, adjustable in two dimensions for small doors; can be mounted in various positions. The metal fixing body has two pairs of bore holes; it is provided for rotating the working plane of the actuator by 90°.

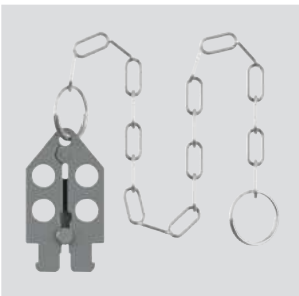


Limits of use

Do not use where dust and dirt may penetrate in any way into the head and deposit there. Especially not where powder, shavings, concrete or chemicals are sprayed. Adhere to the EN ISO 14119 requirements regarding low level of coding for interlocks. Do not use in environments with presence of explosive or flammable gas. In these case use ATEX products (see dedicated Pizzato catalogue).

Accessories

Article	Description
VF KB2	Lock out device



Padlockable lock out device to prevent the actuator entry and the accidental closing of the door behind operators while they are in the danger area.
To be used only with FG series switches (e.g. FG 60AD1D0A). Hole diameter for padlocks: 9 mm.



Article	Description
VF KLA371	Set of two locking keys



Extra copy of the locking keys to be purchased if further keys are needed (standard supply: 2 units). The keys of all switches have the same code. Other codes on request.