



Figure can vary

**Part no.: 63000202**  
**S200-M4C1-M20**  
**Safety switch**



## Contents

- Technical data
- Dimensioned drawings
- Electrical connection
- Circuit diagrams

Part no.: 63000202 – S200-M4C1-M20 – Safety switch

## Technical data

<b>Basic data</b>	
Series	S200
<b>Functions</b>	
Functions	Integration in control circuits up to category 4 in accordance with EN ISO 13849 Mechanically coded interlock device of type 2 acc. to EN ISO 14119
<b>Characteristic parameters</b>	
SIL	3 , IEC 61508
SILCL	3 , IEC/EN 62061
Performance Level (PL)	Up to and including e , EN ISO 13849-1
Mission time T <sub>M</sub>	20 years , EN ISO 13849-1
B10 <sub>d</sub>	2,000,000 number of cycles
<b>Electrical data</b>	
Usage category at DC 13	U <sub>e</sub> / I <sub>e</sub> : 24 V / 6 A, 125 V / 1.1 A, 250 V / 0.4 A , EN 60947-5-1
Usage category at AC 15	U <sub>e</sub> / I <sub>e</sub> : 250 V / 6 A, 400 V / 4 A, 500 V / 1 A , EN 60947-5-1
Contact allocation	2NC + 1NO
Contact opening	Force-fit
Short circuit protected	500 V, 10 A, type aM , IEC 60269-1
Contact protection	Earthing
<b>Performance data</b>	
Rated insulation voltage	400 V AC, 500 V DC
Conventional thermal current, max.	10 A
<b>Connection</b>	
Number of connections	1 Piece(s)
Number of cable entries	1 Piece(s)
<b>Connection 1</b>	
Type of connection	Terminal
Function	Contact connection
Type of terminal	Screw terminal
No. of pins	6 -pin
<b>Cable properties</b>	
Connection cross sections	1 x 0.34 mm <sup>2</sup> to 2 x 1.5 mm <sup>2</sup> , wire
<b>Mechanical data</b>	
Design	Cubic
Dimension (W x H x L)	40 mm x 38 mm x 109.5 mm
Housing material	Metal , ZAMAK
Electrical contact material	Silver alloy
Net weight	295 g
Housing color	Gray Red
Type of fastening	Through-hole mounting
Type of cable entry	M20 x 1.5
Switch type	Interlock device without guard interlocking , ISO 14119
Switching principle	Slow-action contact

**Part no.: 63000202 – S200-M4C1-M20 – Safety switch**

Approach actuation directions	1 x top 4 x side (90°)
Approach speed	0 ... 0.5 m/s
Mechanical life time	1,000,000 actuation cycles , IEC 6047-5-1
Actuation frequency, max.	3,600 per hour , IEC 6047-5-1
External actuator	AC-AHxx, series, straight, angled, resilient, alignable
Extraction force, unlocked actuator	10 N
Actuating path with forced separation	8.8 mm
Recoil tolerance	4.5 mm

**Environmental data**

Ambient temperature, operation	-25 ... 80 °C
Degree of contamination, external	3 , EN 60947-1

**Certifications**

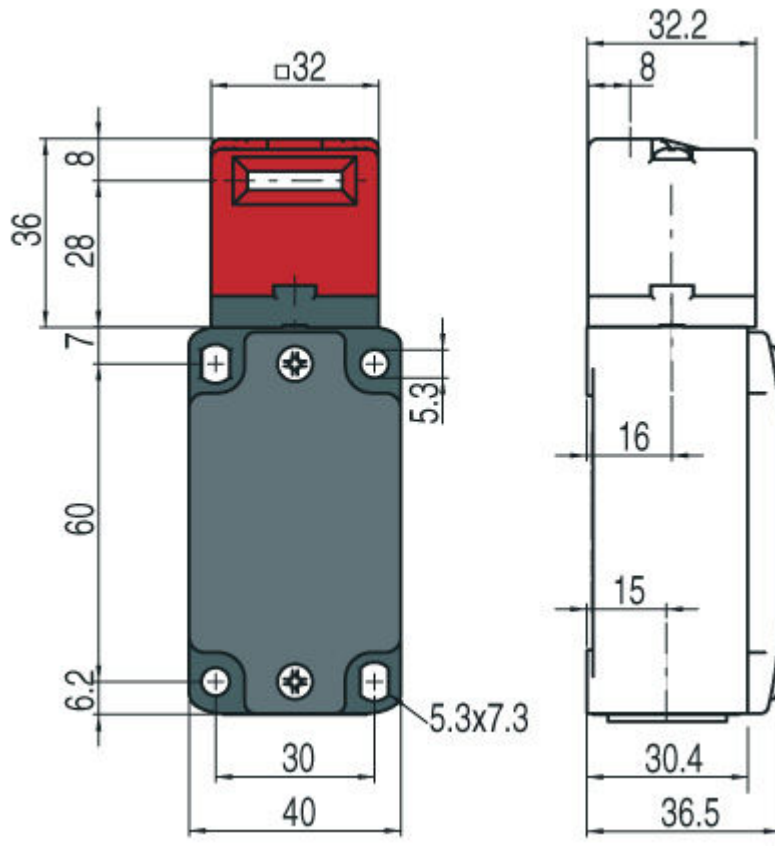
Degree of protection	IP 67
Certifications	c UL US IMQ

**Classification**

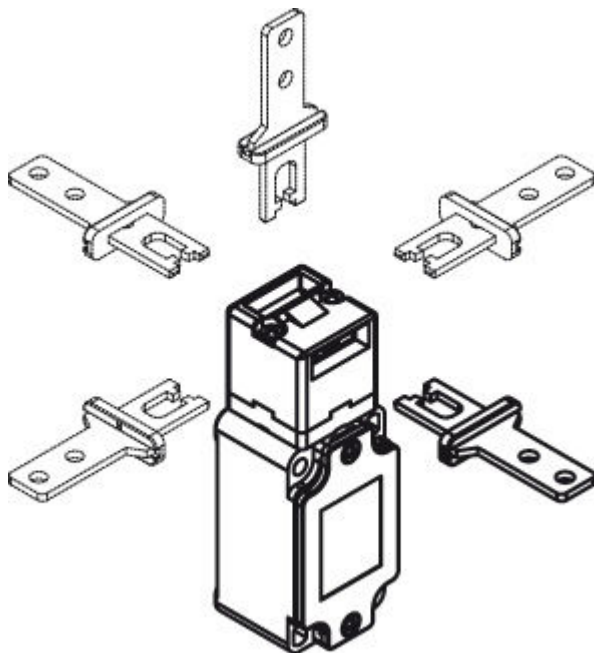
Customs tariff number	85369095
eCl@ss 8.0	27272602
eCl@ss 9.0	27272602
ETIM 5.0	EC002592
ETIM 6.0	EC002592

## Dimensioned drawings

All dimensions in millimeters



Approach directions



## Electrical connection

Connection 1	
Type of connection	Terminal
Function	Contact connection
Type of terminal	Screw terminal
No. of pins	6 -pin

Terminal	Assignment
11	NC(1)
12	NC(1)
21	NC(2)
22	NC(2)
33	NO(1)
34	NO(1)

## Circuit diagrams

