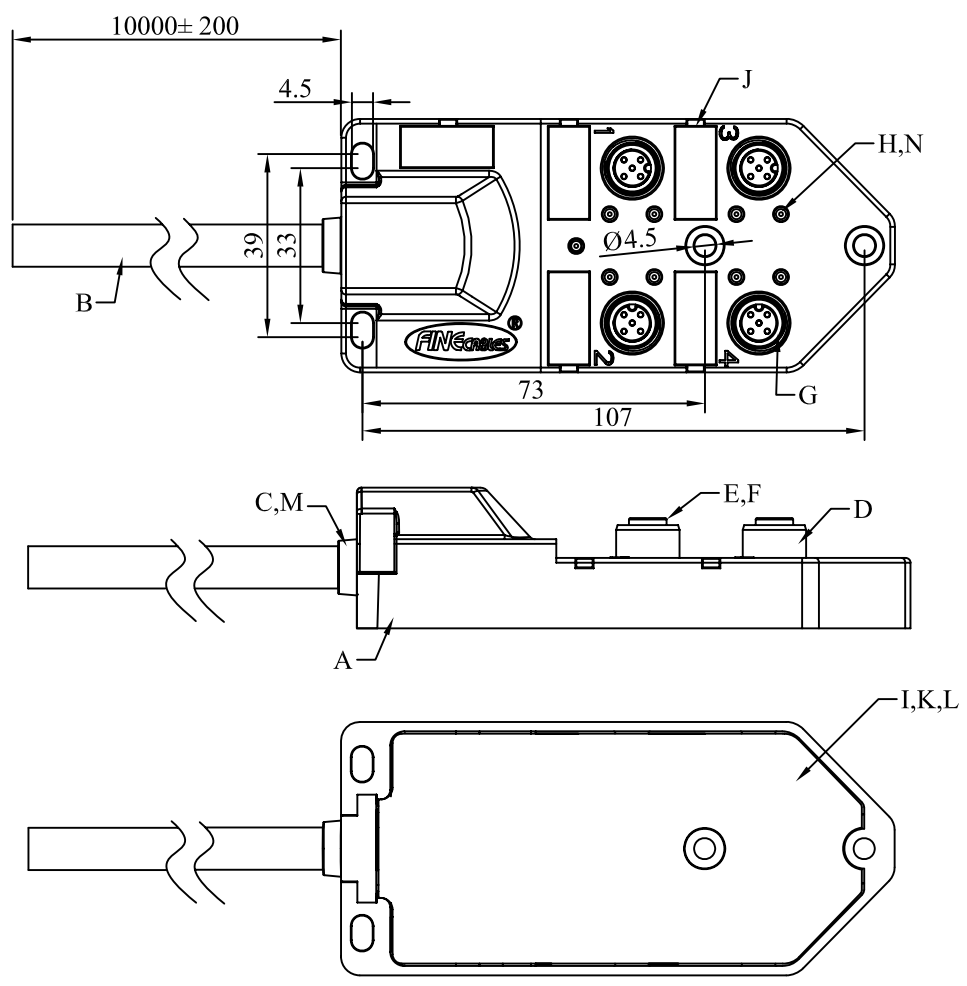

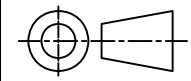


日期 Date	修改内容 Description	发行版本 Revision	变更编号 ECN NO.
Sep.11,2014	First release	A / 0	

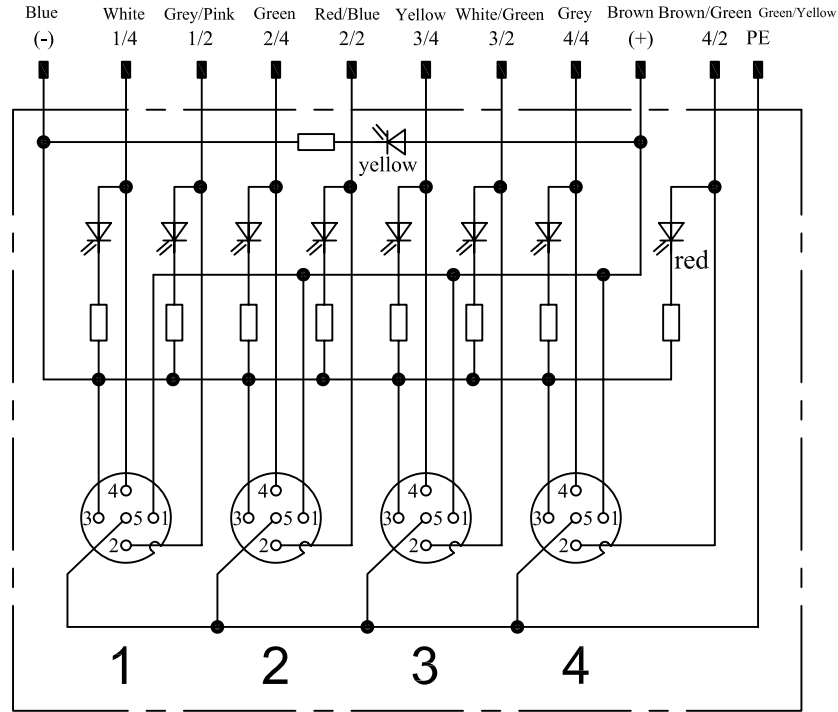


 东莞市协顺电子科技有限公司 FINECABLES CO., LTD					
图号 File No.	A359-CP-T0061	客户料号 Cus' P/N	D-4-05L-100CB	品名 Name	Junction Box
未注公差 No specified tolerance		核准 Approved		单位 Unit	mm
线性 Linear	0.5~6	± 0.1	审核 Checked	比例 Scale	—
	>6~30	± 0.2	绘图 Drawing	页码 Page	1 / 2
>30	$\pm 2\%$	Japaul			
角度 Angles	$\pm 3^\circ$				

编号 No.	料号 Materials No.	品名 Name	材料规格 Description	单位 Unit	用量 Qty
文件路径 File Path			\\Finecable-sv\eng\Drawing		



日期 Date	修改内容 Description	发行版本 Revision	变更编号 ECN NO.
Sep.11,2014	First release	A / 0	



N	Sleeve	Sleeve for LED	pcs	9	
M	Pipe	Brass pipe	pcs	1	
L	Resistor	Resistor 2.2Kohm	pcs	9	
K	Resin	Black epoxy resin	g	50	
J	Label	Note label	pcs	5	
I	PCB	PCB	pcs	1	
H	LED	Red LED(8pcs),yellow LED (1pcs)	pcs	9	
G	Ring	Green rubber ring	pcs	4	
F	Housing	M12 5P female housing(molded with PA+GF)	pcs	4	
E	Terminal	M12 female terminal,brass with gold plated(A000-PT-0130E)	pcs	20	
D	Screw	M12*1.0 screw,brass with nickel plated A000-PT-0130A	pcs	4	
C	SR	Cable SR(molded with TPU)	g	10	
B	Cable	UL2464 18AWG*3C+22AWG*8C,black PVC jacket	mm	10060	
A	Box	Cube box, molded with PBT+GF	g	50	
编号 No.	料号 Materials No.	品名 Name	材料规格 Description	单位 Unit	用量 Qty
文件路径 File Path		\\Finecable-sv\eng\Drawing			

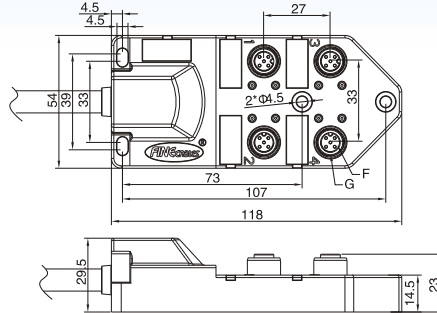
FINECABLES® 东莞市协顺电子科技有限公司
FINECABLES CO., LTD

图号 File No.	A359-CP-T0061	客户料号 Cus' P/N	D-4-05L-100CB	品名 Name	Junction Box
未注公差 No specified tolerance		核准 Approved		单位 Unit	mm
线性 Linear	0.5~6	±0.1	审核 Checked	比例 Scale	---
	>6~30	±0.2			
角度 Angles	>30	±2%	绘图 Drawing	Japaul	页码 Page
				2 / 2	

Distribution Boxes, 4 Ports

- Connector series: Distribution box with cable
- Number of outlets: 4 Ports
- Locking type: Fix screw
- Coding type: A-coding
- Part No.: D-4-**-L-XXXX(With LED)
D-4-**-XXXX(Without LED)

** refers to pins number
X refers to cable specification



General information

Ambient temperature:	-25 °C ~ + 80 °C
Connector insert:	PA+GF
Connector contacts:	Brass with gold plated
Material of body:	PBT
Coupling nut/screw:	Brass with nickel plated
Body color:	Blue
Seal:	FKM

Contact resistance :	≤ 5mΩ
Rated voltage with/without LED:	10~30V/120V
Rated current:	2A per signal,9A total
LED color:	Optional
IP rating:	IP 67 in locked condition

Electrical data & Mechanical data

Contacts		Circuit diagram	Cable Specification
04Pin	<p>M12 Female</p>		<p>Cable: 0.34mm² (22AWG), 3*0.75mm² (18AWG) PUR / PVC jacket by customized</p>
05Pin	<p>M12 Female</p>		