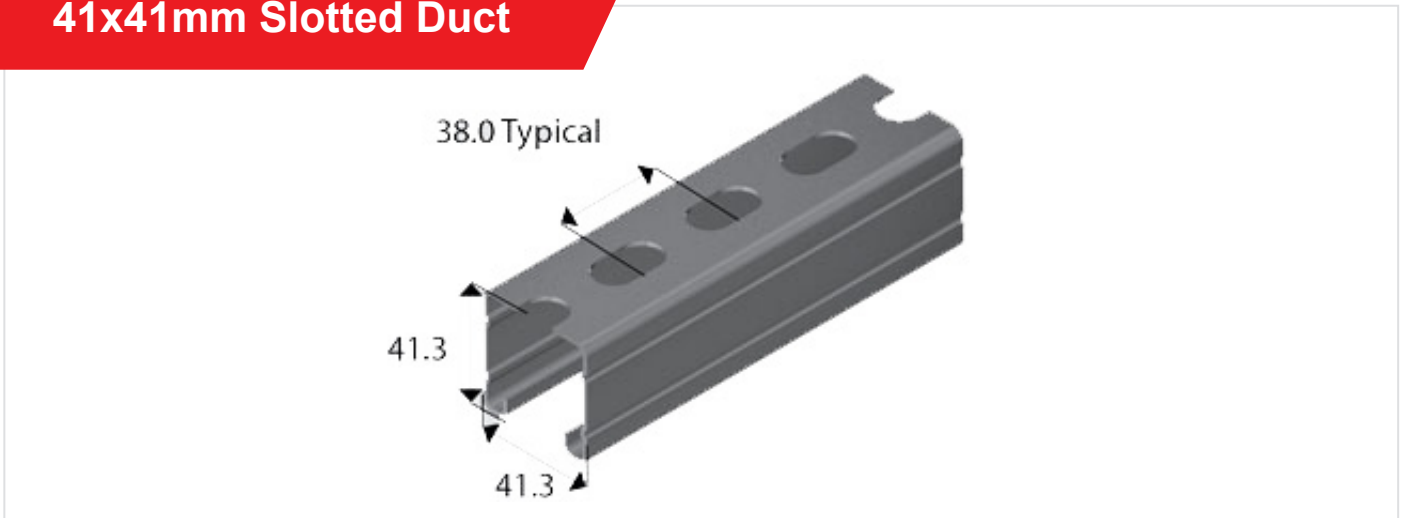


E2000S 41x41mm Slotted Duct



Specification

Material Specification	25 x 14mm slots are punched continuously at 38mm centres
Length	3m
Thickness	1.6mm
Profile	41x41mm, Slotted & Ribbed
AS standards	Galvanised to AS/NZS1365, AS1594, AS/NZS4680, ISO1461

CellTec Pty Ltd

P: +61 3 8360 8533 | **E:** sales@celltec.com.au

A: 6 Paraweena Drive

Truganina VIC 3029 Australia