



Part no.: 50135464
A7-MP1-250
Signaling column element



Figure can vary

Contents

- . Technical data
- . Dimensioned drawings
- . Electrical connection
- . Notes
- . Accessories

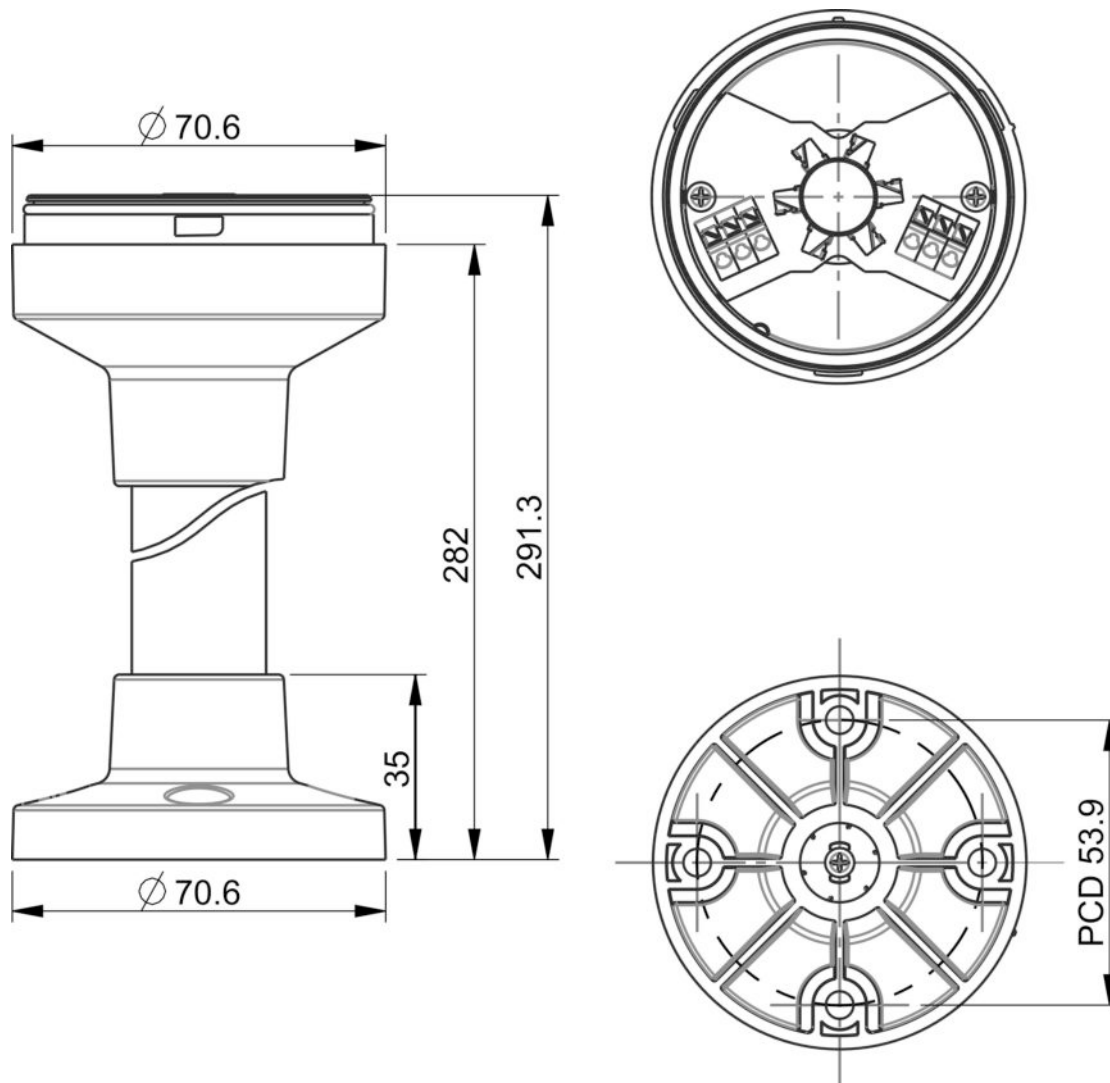
Part no.: 50135464 – A7-MP1-250 – Signaling column element

Technical data

Basic data	
Series	A7
Connection	
Number of connections	1 Piece(s)
Connection 1	
Type of connection	Terminal
Type of terminal	Tension spring technology
Mechanical data	
Design	Cylindrical
Dimension (Ø x L)	70 mm x 282 mm
Housing material	Metal Plastic , Aluminum
Net weight	243 g
Housing color	Black Gray
Design of mounting device	Base mounting
Type of fastening, at system	Screw type / horizontal
Module holder	One side
Number of end caps	1 Piece(s)
Environmental data	
Ambient temperature, operation	-10 ... 60 °C
Certifications	
Degree of protection	IP 66 , Only when mounted on a housing with the same degree of protection
Certifications	CE CSA
Classification	
Customs tariff number	85318070
eCl@ss 8.0	27371234
eCl@ss 9.0	27371234
ETIM 5.0	EC001259
ETIM 6.0	EC001259

Dimensioned drawings

All dimensions in millimeters



Electrical connection

Connection 1	
Function	Voltage supply
Type of connection	Terminal
Type of terminal	Tension spring technology



Notes

Observe intended use!
<ul style="list-style-type: none"> • This product is not a safety sensor and is not intended as personnel protection. • The product may only be put into operation by competent persons. • Only use the product in accordance with its intended use.

Part no.: 50135464 – A7-MP1-250 – Signaling column element

Accessories

Mounting technology - Mounting brackets

	Part no.	Designation	Article	Description
	50137729	A7-MW1	Signaling column element	Design: Angle, L-shape Fastening, at system: Through-hole mounting
	50142896	A7-MW2	Signaling column element	Design: Angle, L-shape Fastening, at system: Through-hole mounting

General

	Part no.	Designation	Article	Description
	50135462	A7-V1-BZ1-M	Signaling column element	Signaling: Acoustic Current consumption, max.: 70 mA Design: Cylindrical Diameter: 70 mm Fastening: Bayonet system Operational controls: DIP switch, 225° potentiometer Ambient temperature: -10 ... 60 °C Degree of protection: IP 66 Tone type: Continuous or pulse tone Sound pressure: 100 dB Number of tones: 8 Piece(s)
	50138151	A7-V1-BZ2-S	Signaling column element	Signaling: Acoustic Current consumption, max.: 20 mA Design: Cylindrical Diameter: 70 mm Fastening: Bayonet system Operational controls: 225° potentiometer Ambient temperature: -10 ... 60 °C Degree of protection: IP 66 Tone type: Continuous tone Sound pressure: 105 dB Number of tones: 1 Piece(s)
	50135457	A7-V1-DS-R-T	Signaling column element	Signaling: Optical Current consumption, max.: 50 mA Design: Cylindrical Diameter: 70 mm Fastening: Bayonet system Illuminant: LED/24V Signal image: Continuous light Lens color: Red Angle of radiation: 360° Ambient temperature: -10 ... 60 °C Degree of protection: IP 66

Note

A list with all available accessories can be found on the Leuze electronic website in the Download tab of the article detailed page.