

Power and Control Isolation » Mechanical Bolt Interlock
 Key Exchange
 Door Locks and Actuators

BM
 BMS



Mechanical Bolt Interlock



The BM is used to interlock circuit breakers, valves earth switches etc. It is used where hazards needs to indirectly interlocked.

- No product handling issues
- 16mm diameter bolt with 16mm of travel (custom bolt lengths available)
- Standard operation: Key free, bolt shot (other sequences available)

The BM may not be used as an access lock.

Safety Data

Standards	ISO EN14119:2013 EN13849-1:2008 EN13849-2:2012 EN62061:2005
Certifications	CE marked for all applicable directives
Category	Cat. 4, PLe (EN/ISO 13849-1) and SIL3 (EN/IEC 62061)
Functional safety data	B10d 5,000,000

mGard range

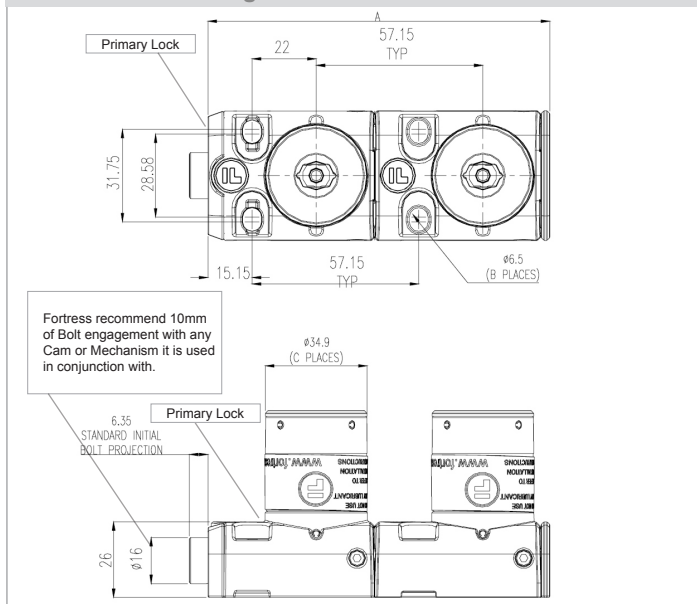
mGard is the ultimate range of robust mechanical trapped key products. Trapped key technology offers purely mechanical access locks (removing the need for expensive wiring). mGard offers an extensive variety of modular interlocking solutions. Suitable for use in applications up to SIL3 (EN/IEC 62061), Category 4 and PLe (EN/ISO 13849-1), mGard is ideal for use in harsh environments and is tested to 1,000,000 operations.

Technical Specification

Housing Materials Body BM	Die-cast zinc body with pearl bronze plated finish
Housing Materials Body BMS	Full stainless steel to S316
Bolt	Full stainless steel to S316
Internals	Full stainless steel
Max Side Load	10KN (Depending on fixings used)
Lock Mechanism BM	Die-cast zinc body with stainless operating mechanism (selected separately)
Lock Mechanism BMS	Full stainless steel to S316 (selected separately)
Key	Stainless steel to S316 (purchased separately)

BMS stainless steel mechanical lock module, suitable for use in all Ex hazardous areas. This product is completely benign and does not require power or generate any heat. All materials have been fully tested and confirmed as non-sparking on impact.

Dimensional Drawing



Article Codes

N° of Locks	Part N°
1 » 10	BM1 » BM10

N° of Locks (Full Stainless Steel)	Part N°
1 » 5	BMS1 » BMS5

Lock Type

Key and lock types must be specified separately

Bolt Lengths (Minimum Projection)	Part N°
6.35mm	-
50mm	50
150mm	150

Product	Dimension A Overall length	Dimension B N° of slotted holes	Dimension C N° of CL locks
BM(S)1	60.15	2	1
BM(S)2	117.30	4	2
BM(S)3	174.45	6	3
BM(S)4	231.60	8	4
BM(S)5	288.75	10	5
BM6	345.90	12	6
BM7	403.05	14	7
BM8	460.20	16	8
BM9	517.35	18	9
BM10	574.50	20	10

A 3mm gap between the front face of a BM/BMS and any galvanised metal work is recommended to reduce the likeliness of a galvanic reaction occurring.

