



**Part no.: 50141871**  
**AC-ABF11**  
**Acknowledgment unit**

Figure can vary

## Contents

- Technical data
- Dimensioned drawings
- Electrical connection

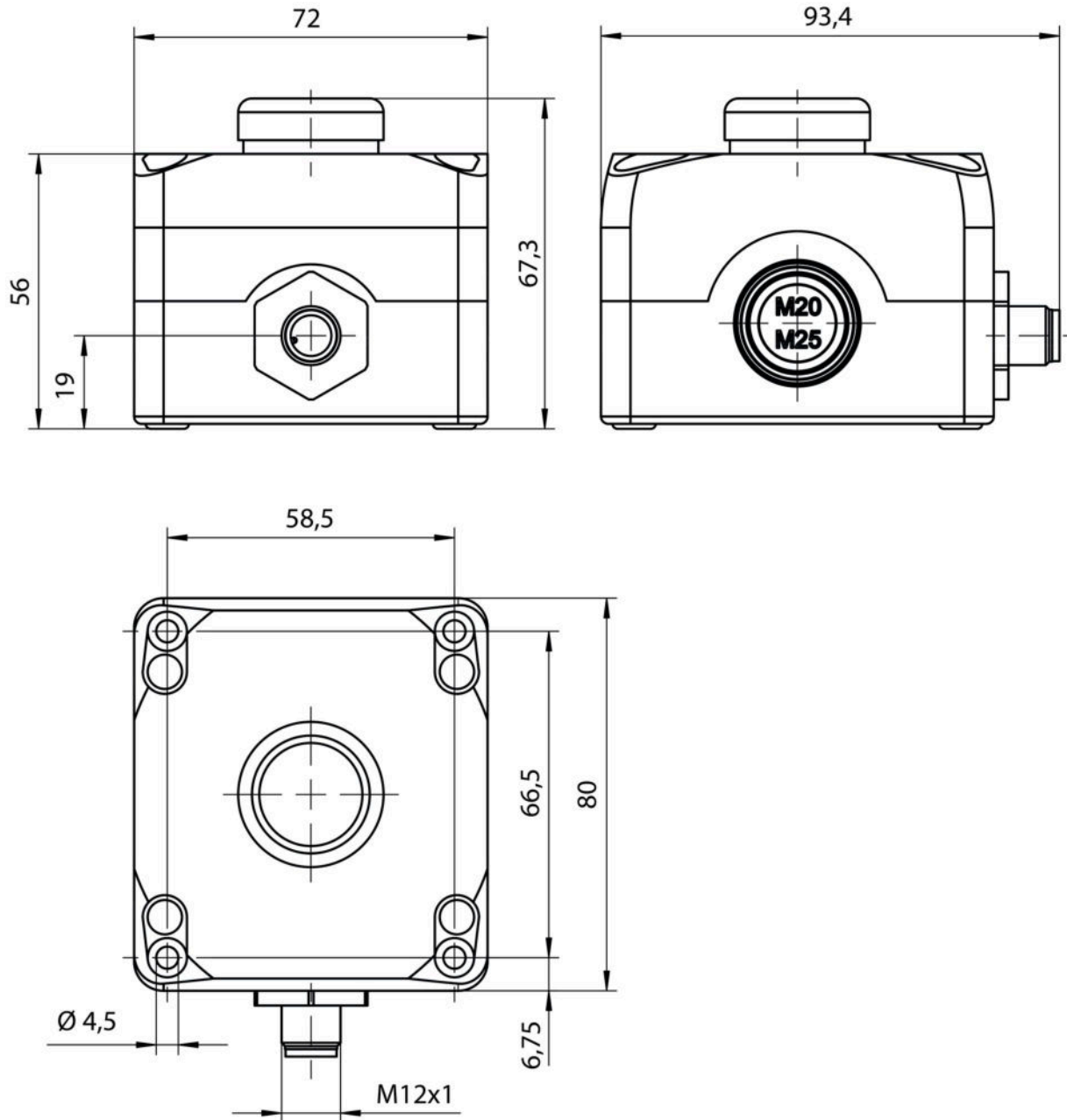
Part no.: 50141871 – AC-ABF11 – Acknowledgment unit

## Technical data

<b>Basic data</b>	
Suitable for	MLD 500, MLD 300 multiple light beam safety devices
<b>Functions</b>	
Functions	Illuminated reset buttons Overriding with AOPDs with muting function Reset of the start/restart interlock
Reset buttons	Yes
LED indicators	Yes
<b>Electrical data</b>	
Switching current via button	1 ... 1,000 mA
<b>Performance data</b>	
Supply voltage $U_B$	24 V, DC, -20 ... 20 %
<b>Connection</b>	
Number of connections	1 Piece(s)
<b>Connection 1</b>	
Type of connection	Connector
Thread size	M12
Material	Plastic
No. of pins	4 -pin
<b>Mechanical data</b>	
Dimension (W x H x L)	72 mm x 56 mm x 80 mm
Housing material	Glass fiber reinforced (PPS), self-extinguishing
Net weight	250 g
Clamping plate material	Stainless steel
<b>Environmental data</b>	
Ambient temperature, operation	-25 ... 70 °C
Ambient temperature, storage	-25 ... 70 °C
<b>Certifications</b>	
Degree of protection	IP 67 IP 69K
Protection class	III
<b>Classification</b>	
Customs tariff number	85369095
eCl@ss 8.0	27279290
eCl@ss 9.0	27279090
ETIM 5.0	EC002498
ETIM 6.0	EC002498

## Dimensioned drawings

All dimensions in millimeters



## Electrical connection

Connection 1	
Type of connection	Connector
Function	
Thread size	M12
Type	Male
Material	Plastic
No. of pins	4 -pin
Encoding	