

3RK7271-1AA30-0AA0

DCM 1271 (AS-I DATA DECOUPL)

Technical data



SIMATIC S7-1200, DCM 1271 Data decoupling module for AS-i Master CM 1243-2 IN: 24 V / 30 V DC OUT: 1x AS-Interface, 4 A Integrated overload protection integr. ground fault detection Signaling contact

General technical data		
product designation		AS-Interface data decoupling unit
design of the product		Communication module 30 mm for SIMATIC S7-1200
protection class IP		IP20
installation altitude at height above sea level maximum	m	2 000
<ul style="list-style-type: none"> ambient temperature during operation 	°C	0 ... 55
relative humidity at 25 °C during operation maximum	%	95
reference code acc. to DIN 40719 extended according to IEC 204-2 acc. to IEC 750		A
reference code acc. to DIN EN 61346-2		A
supplied active power	W	120
product function <ul style="list-style-type: none"> auto-RESET external reset manual RESET ground fault detection test function of signaling contacts suitable for grounded AS-i networks adapted for non-grounded AS-i networks suitable for AS-i Power24V sequential connected time-delay AS-Interface data decoupling 		Yes No No Yes No Yes Yes Yes No Yes
reset function		No
adjustable current response value current of the current-dependent overload release	A	4 ... 4
number of electrical connections for signaling contact		3
number of outputs for AS-Interface maximum		1
display version as status display by LED		EFD, ASI OL, DIAG
design of the switching contact as NO contact for signaling function		No
Communication/ Protocol		
protocol is supported AS-Interface protocol		Yes
Auxiliary circuit		
operational current of auxiliary contacts <ul style="list-style-type: none"> at DC-13 at 24 V 	A	0.05
Inputs/ Outputs		
type of voltage <ul style="list-style-type: none"> of the input voltages of the input voltage 		DC DC
property of the output short-circuit proof		Yes
output voltage <ul style="list-style-type: none"> 1 at DC <ul style="list-style-type: none"> rated value rated value 2 at DC rated value 	V V V	30 20.5 ... 31.6 24
output current at DC maximum	A	4
input voltage <ul style="list-style-type: none"> 1 at DC <ul style="list-style-type: none"> rated value rated value 2 at DC rated value 	V V V	30 21 ... 32 24
input current at DC maximum	A	4.1
Short-circuit protection		
design of short-circuit protection		electronic
Installation/ mounting/ dimensions		

mounting position		vertical, horizontal
fastening method		35-mm DIN rail mounting or wall mounting with plug-in flaps
width	mm	30
height	mm	100
depth	mm	75
type of electrical connection for auxiliary and control circuit		screw-type terminals
product function removable terminal for auxiliary and control circuit		Yes
type of connectable conductor cross-sections		
<ul style="list-style-type: none"> ● for auxiliary contacts <ul style="list-style-type: none"> — solid — finely stranded — with core end processing ● at AWG cables for auxiliary contacts 		3x (0.2 ... 3.3 mm ²) 3x (0.2 ... 3.3 mm ²) 3x (24 ... 16)
certificate of suitability		CE / cULus / FM / ATEX
suitability for use safety-related circuits		No

Certificates/ approvals

General Product Approval	EMC	For use in hazardous locations
---------------------------------	------------	---------------------------------------

FM



For use in hazardous locations	Declaration of Conformity	Shipping Approval	other
---------------------------------------	----------------------------------	--------------------------	--------------

Explosion Protection Certificate

Miscellaneous

NK / Nippon Kaiji Kyokai

other

Confirmation

Further information

Information- and Downloadcenter (Catalogs, Brochures,...)

<https://www.siemens.com/ic10>

Industry Mall (Online ordering system)

<https://mall.industry.siemens.com/mall/en/en/Catalog/product?mlfb=3RK7271-1AA30-0AA0>

Cax online generator

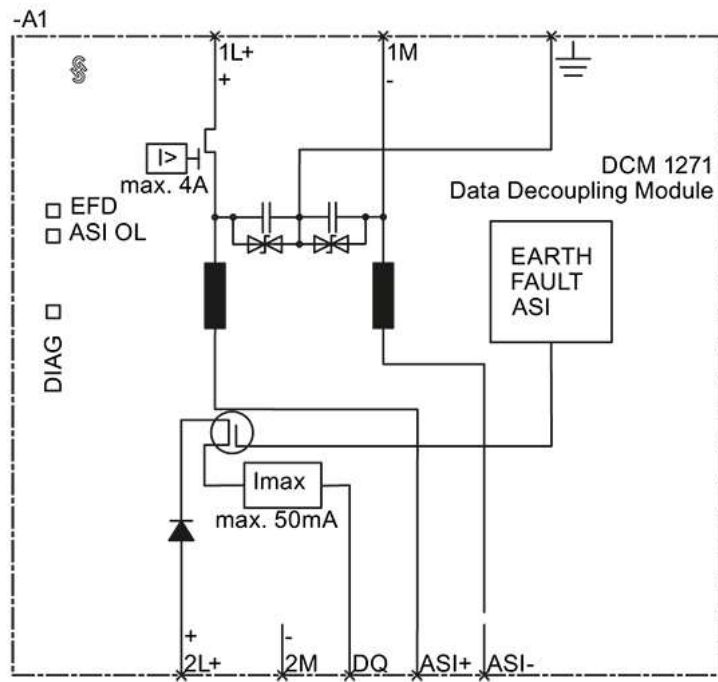
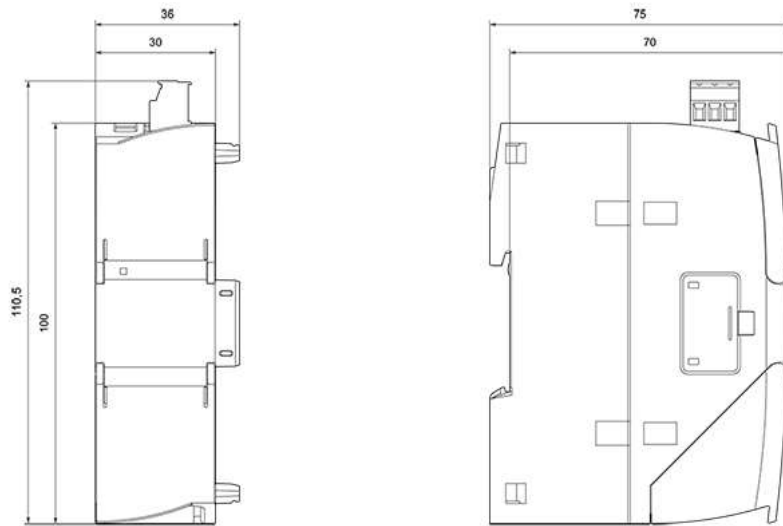
<http://support.automation.siemens.com/WW/CAXorder/default.aspx?lang=en&mlfb=3RK7271-1AA30-0AA0>

Service&Support (Manuals, Certificates, Characteristics, FAQs,...)

<https://support.industry.siemens.com/cs/ww/en/ps/3RK7271-1AA30-0AA0>

Image database (product images, 2D dimension drawings, 3D models, device circuit diagrams, EPLAN macros, ...)

http://www.automation.siemens.com/bilddb/cax_de.aspx?mlfb=3RK7271-1AA30-0AA0&lang=en



last modified:

12/10/2020

Date
12/28/2020

Subject to change without notice
© Copyright Siemens 2020

Last changes: 01/27/2021